

CERTIFICATE OF LOCATION OF GOVERNMENT CORNER

EAST QUARTER Corner of Section 7, Township 107, Range 41, 5TH P.M.

STATE OF MINNESOTA, County of MURRAY

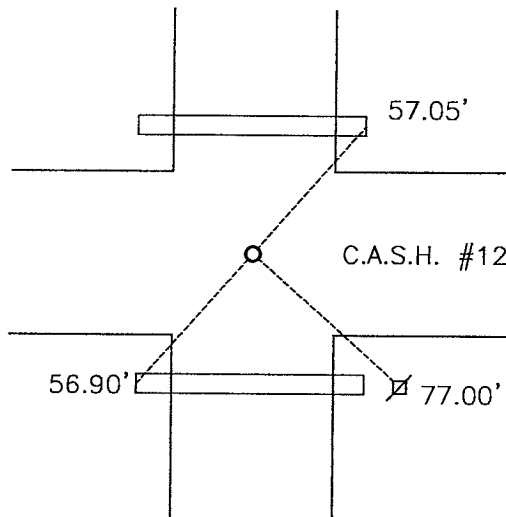
At the corner location shown on the sketch:

On MAY 15, 2010 found a MURRAY COUNTY HIGHWAY DEPARTMENT PK NAIL.
DATE

left monument as found, lowered monument, removed monument (explain)

On _____ placed a _____
DATE

SKETCH OF REFERENCE TIES



Minnesota State Plane Coordinate System MURRAY County Datum NAD83 (1996)

N: 187238.018
E: 490260.895

NAIL AND CAP IN POWERPOLE SE 77.00'
CHISELED X ON CENTERLINE CULVERT END NE 57.05'
TOP TURN BUCKLE CULVERT END SW 56.90'

Statement of evidence relative to this corner location is on back of page.

I hereby certify that this document and the data contained herein was prepared by me or under my direct supervision.

[Signature] 6/10/10
SIGNATURE DATE

Registration No. 43844

Land Surveyor, Professional Engineer
 County Surveyor, County Engineer

OFFICE OF THE COUNTY RECORDER

County of _____ JUN 18 2010

I hereby certify that this document was filed in the Co. Recorders office at _____ .M on the _____ day of _____ A.D. 20 _____

County Recorder [Signature], Deputy

By _____, Deputy
DOCUMENT NO. _____

Statement of Evidence

A stone was located at the corner on February 7, 1934.

On June 11, 1996 Murray County Highway Department found a large 10"x10"x7" field stone 14"± down and placed a steel pin above the stone.

On June 20, 1997 Murray County Highway Department place a P.K. nail over the iron.

On May 17, 2010 Bueltel-Moseng Land Surveying found the P.K. nail set by the highway department at the road surface.